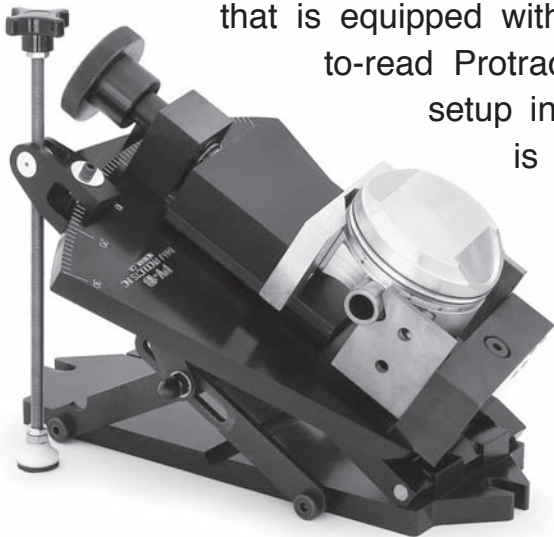
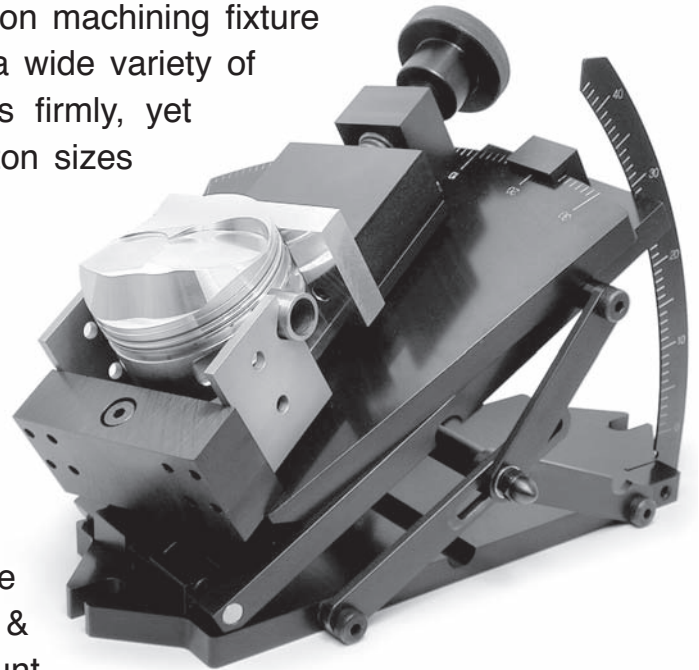


PRECISION ENGINEERED EQUIPMENT Product Spotlight

Compound Angle Piston Vice Part # PV-1B

BHJ's Compound Angle Piston Vice is a precision machining fixture that accurately & securely mounts pistons for a wide variety of operations. The easy-to-use Vice holds pistons firmly, yet delicately from the pin centerline & accepts piston sizes ranging from 2.375" to 5" in diameter.

Accurate positioning is ensured both horizontally & vertically using durable, heat-treated steel V-Jaws for pin clamping & an opposing soft aluminum V-Block to ensure skirt protection. This assembly is mounted on a Tilt/Swivel Base that is equipped with large, easy-to-read Protractors for angle setup in both planes & is ready to mount

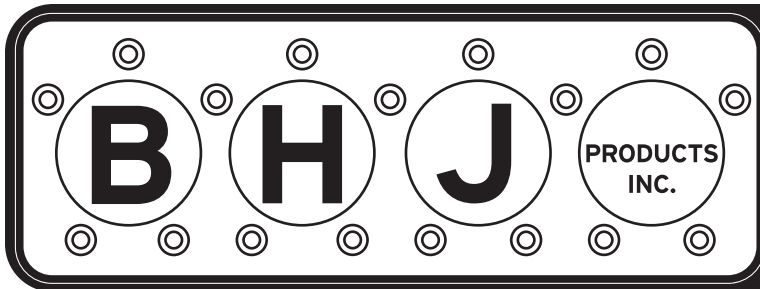


on any milling table. The removable Fine Adjustment Attachment (left) allows accurate, repeatable vertical tilt adjustment and the vertical-tilt Protractor (shown above) detaches easily for better access when machining.

All moving parts that are subject to wear are made from alloy steel. The Tilt/Swivel Base assembly is made from alloy aluminum tooling plate for weight considerations & then hard anodized for maximum durability. See reverse side for additional features & specifications.



BHJ's **Piston Flycutter Set**, Part # PV-FC3 (right), is also available separately & includes three Flycutters in .750", 1.125", & 1.500" sizes.



BHJ Products Inc.
37530 Enterprise Court
Newark, CA 94560 USA
Email: sales@bhjinc.com
Tel.: +1 510-797-6780
Fax: +1 510-797-9364

Compound Angle Piston Vice

Part # PV-1B

Specs & Features

Tilt & Height Specs

- Tilt Angle Range: 0°-43°
- Piston Pin Height at 0° (flat): approx. 4.75"
- Piston Pin Height at 43°: approx. 6.5"
- Overall Height at 0° tilt: 5.75" (at Jaws, Tilt Scale removed)
- Overall Height at 43° tilt: 14.5" (at Clamping Knob)

Swivel Specs

- Swivel Range side-to-side from 0°: 30° left-30° right
- Swivel Platform size: 13" wide x 12" long

Base Size

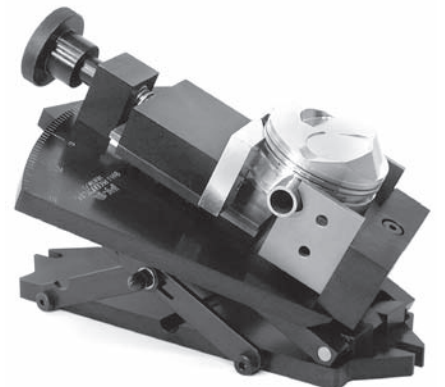
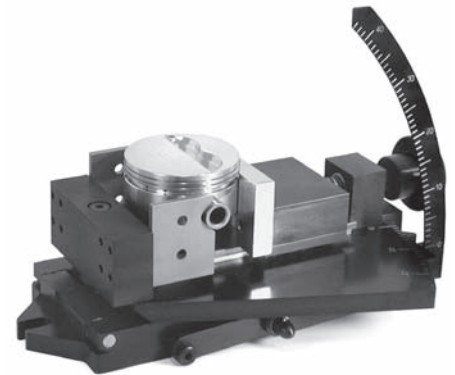
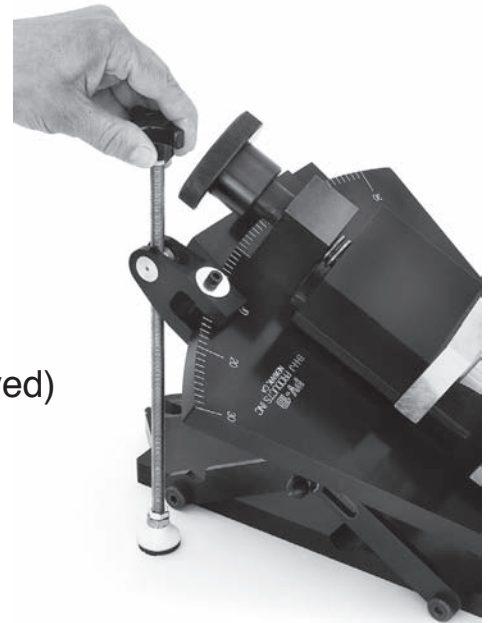
- Overall Length: 17"
- Table-mounting stud-to-stud (on 1/2" stud C/L): 15.25"
- Base Width: 6"
- Overall Width (including hardware): 7.5"

Piston Size Range

- Minimum Piston OD: 2.375"
- Maximum Piston OD: 5.00"

Call, or Email for More Information & Current Pricing.

Revised 9/25/09



www.BHJProducts.com | tel. 510-797-6780